

## Re-turn worn shafts and roll journals on-site in hours.

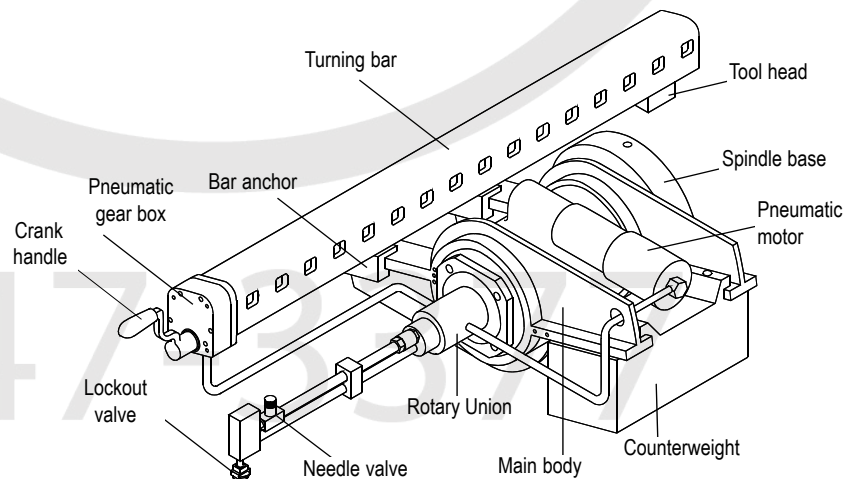
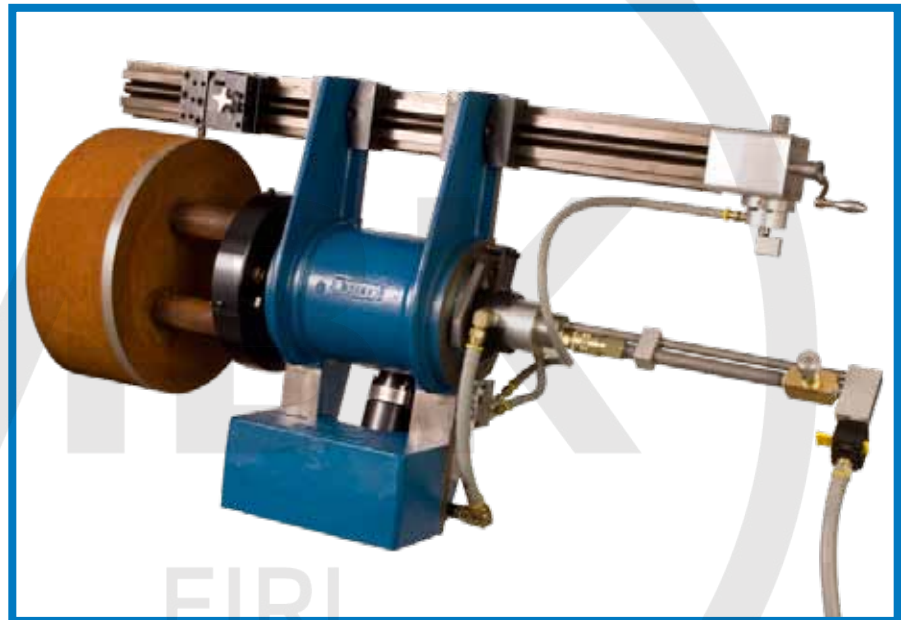
The PL4000 Portable Lathe bolts directly to the end of the work piece and enables the operator to cut grooves, or re-turn straight and tapered shafts with precision.

### Low Profile

- Requires only 12.75 inches (323.8 mm) of radial turning clearance so you can work in tight spots.

### Powerful and Precise.

- Performs all turning operations along 24.75 inches (628.7 mm) of shaft. Cuts tapers up to 2.5 inches per foot (63.5 mm per 304.8 mm) on diameter.
- Turns shafts from 8.0 - 24.0 inches (203.2 - 609.6 mm). (This machine works within a 12.0 inch (304.8 mm) diameter space around the shaft, and 24.0 inches (609.6 mm) from the end of the shaft, or 27.0 inches (685.8 mm) with optional extender.)



oficina@vendo.com.pe

# SPECIFICATIONS

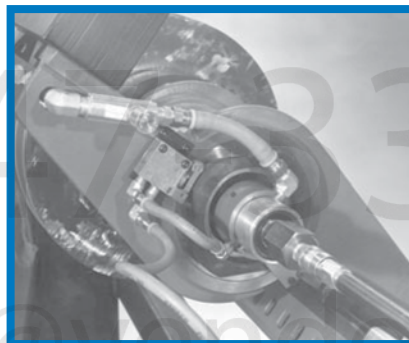
	US	Metric
Shaft diameter		
Min.	8.0 inches	203.2 mm
Max. with standard tool holder	18.0 inches	457.2 mm
Max. with optional extender	24.0 inches	609.6 mm
Cutting reach		
Min. with standard tool holder	0 inches	0 mm
Max. with standard tool holder	24.75 inches	628.7 mm
Min. with optional extender	3.25 inches	82.6 mm
Max. with optional extender	27.0 inches	685.8 mm
Max taper	2.5 inches/foot on diameter (on 8 - 18 inch diameters)	63.5 mm/304.8 mm on diameter (on 203.2 - 457.2 mm diameters)
Vertical tool travel, total	1.5 inches	38.1 mm
Tool feed, reversible	0 - 0.020 inches/rev	0 - 0.5 mm/rev.
Max. torque at tool head	450 ft-lb	610.1 N·m
Air motor		
Rotational speed at max. rated Hp	520 rpm	520 rpm
Rotational speed at no-load	1100 rpm	1100 rpm
Air consumption at max. rated Hp	90 psi at 48 ft <sup>3</sup> /min	620 kPa at 136 cm <sup>3</sup> /min
Machine rotational speed		
at max. rated Hp	21 rpm	21 rpm
at no-load	30 rpm	30 rpm
Cutter, square lathe tool bit	½ inch	12.7 mm
Operating weight	413 lbs	187.3 kg
Shipping weight	550 lbs	249.5 kg
Shipping dimensions	53 X 38 X 19 inches	1346.2 x 965.2 x 482.6 mm

## SET-UP

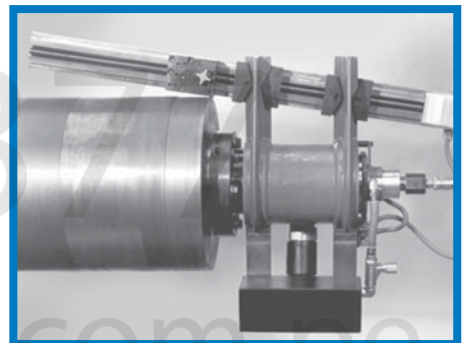
The Portable Lathe mounts to the shaft via a mounting plate which is drilled and counter-bored to match the shaft. The lathe spindle then mounts to the plate on four studs. The turning bar mounts to arms on the main body and can be easily adjusted for reach and turning radius.

Parallelism between the bar and the spindle is set by adjusting two tool arm anchors until they measure equidistant from measuring flats on the main body. Parallelism with the work piece is set using jacking screws. Set screws provide centering.

Typical set-up time is 30 minutes (once the mounting plate is prepared).



A simple cam and valve arrangement activates the pneumatic tool feed mechanism.

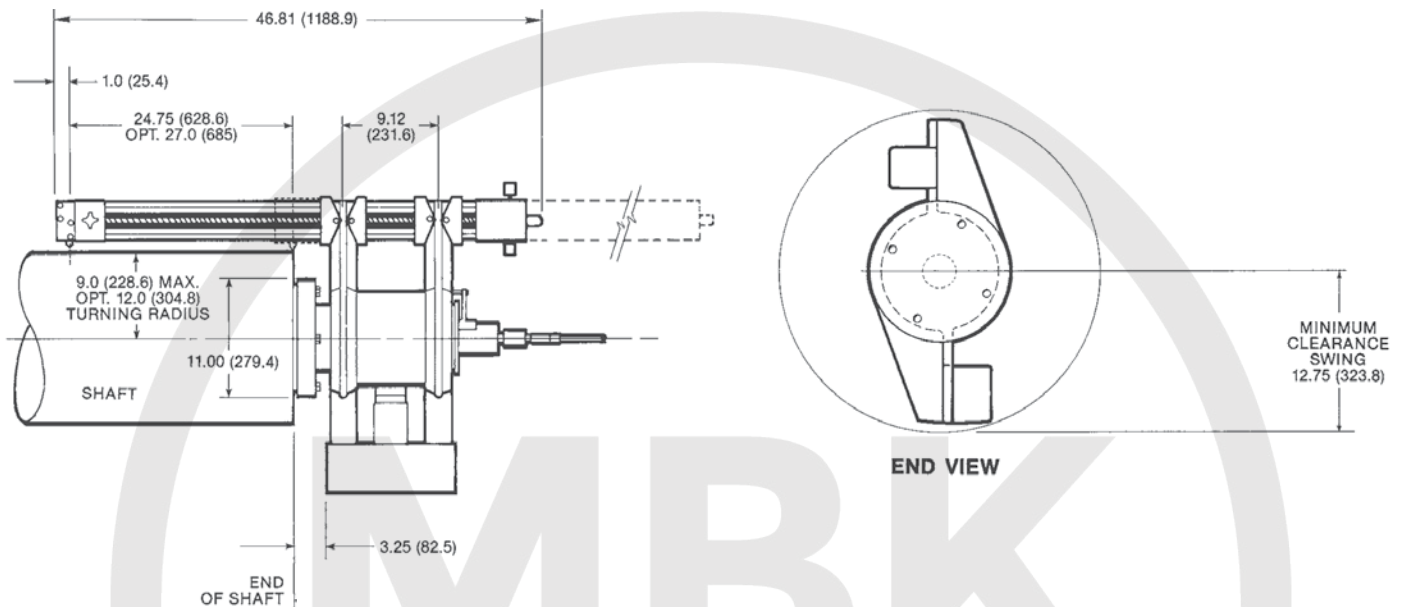


The turning bar may be set at an angle for cutting tapers up to 2.5 inches/foot (63.5 mm/304.8 mm) on diameter.

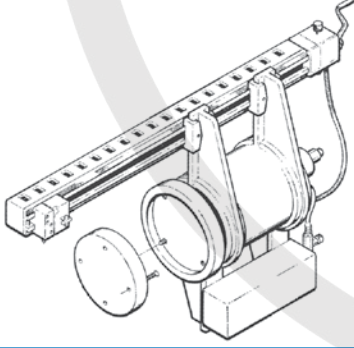
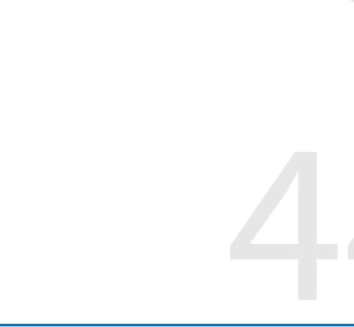
All dimensions should be considered reference. Contact your Climax Representative for precision dimensions. Specifications are subject to change without notice. There are no systems or components on this machine that are capable of producing hazardous EMC, UV or other radiation hazards. The machine does not use lasers nor does it create hazardous materials such as gasses or dust.

# OPERATIONAL DIMENSIONS

Dimensions in Inch (mm)



## COMPONENTS AND ACCESSORIES

	No. Description
	<p><b>12965 PL4000 Portable Lathe, Standard Machine, CE-Compliant</b></p> <p>Standard portable lathe, complete and ready to operate. Machines shafts 8.0 - 18.0 inches (203.2 - 457.2 mm) in diameter. Tool reach is 0 to 24.75 inches (0 to 628.7 mm). Automatic pneumatic tool feed is reversible, variable from 0 - 0.020 inches/rev. (0 - 0.508 mm/rev.). Machine includes: main body assembly with blank mounting plate, standard turning bar and counterweight, 1.55 Hp (1.16 kW) air motor, pneumatic feed box, tool head, one 1/2 inch (12.7 mm) square HSS lathe tool, hand crank, dial indicator, abrasive belt holder, wrench set, and instructions.</p>
	<p><b>17877 PL4000 Portable Lathe, Large Capacity Machine, CE-Compliant</b></p> <p>Machines shafts 8.0 - 24.0 inches (203.2 - 609.6 mm) in diameter. Tool reach is 3.25 - 27.0 inches (82.6 - 685.8 mm). Automatic pneumatic tool feed is reversible, variable from 0 - 0.0020 inches/rev. (0 - 0.508 mm/rev.). Machine includes: main body assembly with blank mounting plate, standard turning bar and counterweight, tool head and turning bar extensions, 1.55 Hp (1.16 kW) air motor, pneumatic feed box, tool head, one 1/2 inch (12.7 mm) square HSS lathe tool, hand crank, dial indicator, abrasive belt holder, wrench set, and instructions.</p>
<p>NOTE: Drawings are for reference only, are not to scale, and may not represent actual product.</p>	<p><b>15306 Tool head and bar extension kit</b></p> <p>Tool head extension kit enables the standard tool head to machine shafts up to 24.0 inches (609.6 mm) in diameter. Includes extension, tool head stabilizer plate, and mounting hardware. Turning bar extension increases standard tool reach to 27.0 inches (685.8 mm). Includes bar extension, counterweight addition, and mounting hardware. This kit included with the large capacity portable lathe (17877).</p>

# CLIMAX GLOBAL LEARNING CENTER

Climax has been teaching the fundamentals and fine points of portable machine tool operation for practically as long as we've been inventing and building the tools.

At the Global Learning Center situated in our corporate headquarters near Portland, Oregon, we provide training for machine tool operators on portable machine tool safety and machine setup and operation. Trainees also receive technical tips and tools to improve operational efficiencies, with the vast majority of every program devoted to hands-on activities and skill development.

The Climax instructional team includes specialists in shipbuilding, power generation, civil engineering, bridge re-building, petrochemical and other industries.



Whether it's a regularly scheduled course at the Global Learning Center, or custom curriculum conducted at your facility, your machinists will benefit from courses developed by some of the most respected authorities in the business.

Call us today to register for a regularly scheduled class, or talk to us about how we can customize a training program for your specialized application.

## Call Climax for:

### On-site Training

Need some refresher courses in setting up and operating your Climax machine tool?

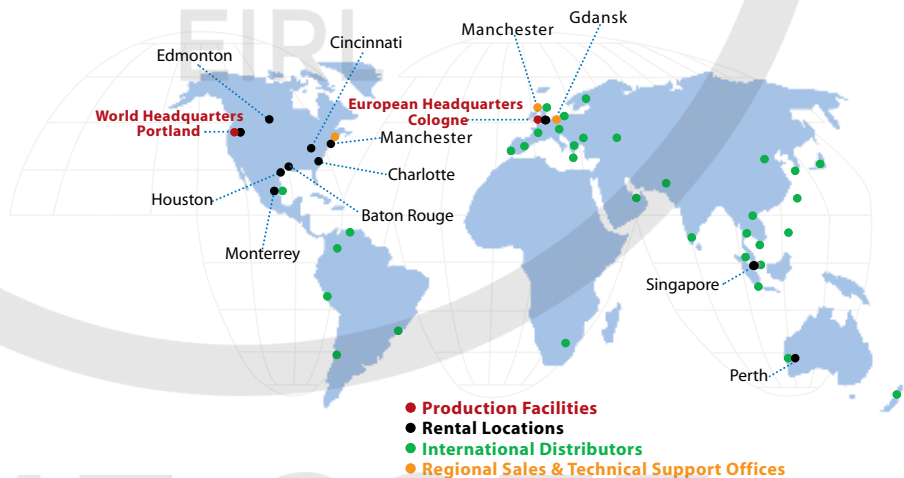
### Special Projects



Climax has been solving complicated on-site machining and welding problems for our customers since 1964.

### Rentals

With eleven worldwide rental depot locations, you are never far away from a Climax portable machine tool.

## Climax Global Locations



Connect with us:  

### World Headquarters

2712 E. Second Street  
Newberg, Oregon 97132 USA  
Worldwide Telephone: 1.503.538.2185  
N. America Toll-Free: 1.800.333.8311  
Fax: 1.503.538.7600  
Email: info@cpmt.com

### European Headquarters

Am Langen Graben 8  
52353 Düren, Germany  
Telephone: (+49) (0) 2421.9177.0  
Fax: (+49) (0) 2421.9177.29  
Email: info@cpmt.de