

## Compact, lightweight, and easy to set up.

### Compact and Versatile

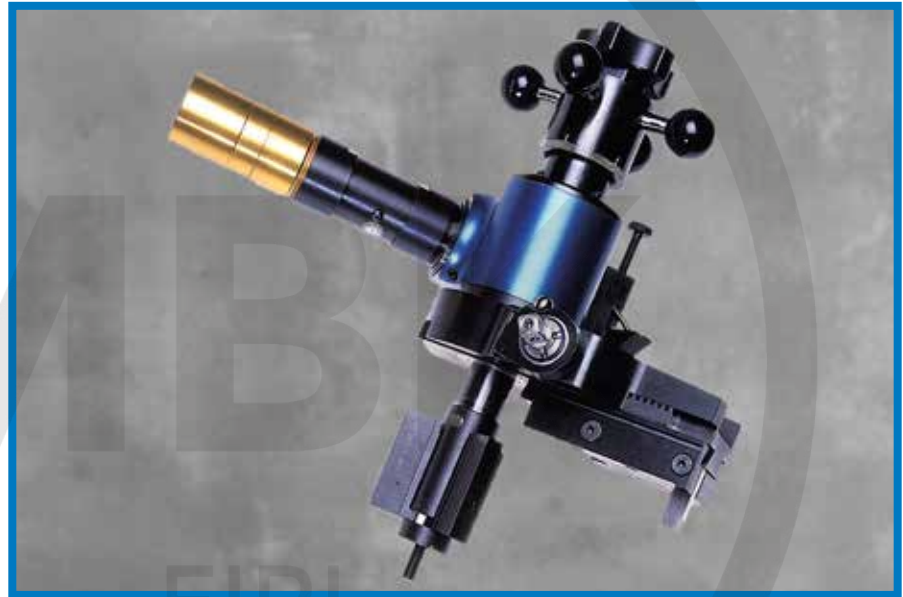
- Patented, low profile machine is one of the most compact on the market today.
- Lightweight, weighing only 35 lbs (15.9 kg).
- Machine raised and flat flanges
- Bi-directional feed.
- Optional beveling head connects with "Quick-Lock" system, making changeover quick & easy.

### Quality Components

- Pneumatic motor comes complete with filter, lubricator and flow control.
- Compact, low-profile drive system engineered for superior power to weight ratio.
- Features rugged main body, heavy-duty bearings, sealed lubrication, and rigid mounting system.

### Cost Effective

- Cuts costs in four ways:
  - Reduces downtime
  - Eliminates off-site machining costs
  - Eliminates leak sealing procedures
  - Reduces stock of replacement flange
- Recoup the cost of a Climax Flange Facer in the first few flange facing jobs.



447-3377

oficina@vendo.com.pe

# SPECIFICATIONS

	US	Metric
Flange Facing Diameter	1.5 - 12.0 inches	38.1 - 304.8 mm
Beveling Diameter (w/ optional beveling head)	2.0 - 7.0 inches	50.8 - 177.8 mm
Pipe Facing Diameter (w/ optional beveling head)	2.0 - 7.0 inches	50.8 - 177.8 mm
ID Mounting Diameter	1.5 - 6.86 inches	38.1 - 174.2 mm
Maximum radial travel of Chuck Ramps	0.23 inches	6 mm
Feed rate (reversible, variable)	0 to 0.025 inches/rev.	0 to 0.635 mm/rev.
Power, Pneumatic	0.79 Hp	0.59 kW
Power Requirement	36 cfm, 90 psi	1.02 m <sup>3</sup> /m, 629 kPa
Operating Weight	35 lbs	15.9 kg
Shipping Weight (Machine w/ Facing Head Only)	102 lbs	46.3 kg
Shipping Weight (Machine w/ Beveling Head Only)	95 lbs	43.1 kg
Shipping Weight (Machine w/ Facing & Beveling heads)	109 lbs	49.4 kg
Shipping Dimensions	32 x 21 x 11 inches	812.8 x 533.4 x 279.4 mm

## Tool Configurations

Configure your FF3000 in 2 easy steps.

To configure your FF3000 Flange Facer:

- 1 Select a Base Package
- 2 Select a Facing Head

To configure the flange facer you require, simply select the option you need in each step, then contact your Climax representative.

### 1 Base Package

Main machine with .79 Hp (0.59 kW) 49592  
pneumatic motor with air conditioning unit,  
tooling, chuck, and chuck block set. Unit  
comes packaged in a durable molded container.

### 2 Facing Head

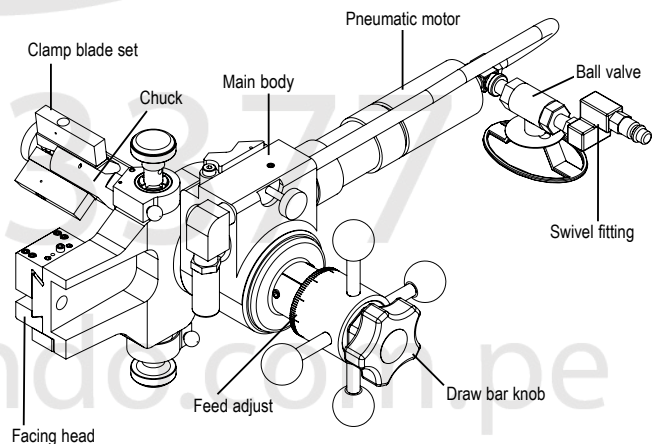
12 inch (304.8 mm) facing head 35222  
7 inch (177.8 mm) beveling head 34980

### Optional Facing/Beveling Bits:

Facing bit 33141  
Beveling bit 37.5 degrees 33136  
Roughing tool bit 31867  
Finishing tool bit 31858  
5 degree chamfer tool bit 33315

### Optional Facing/Beveling Heads:

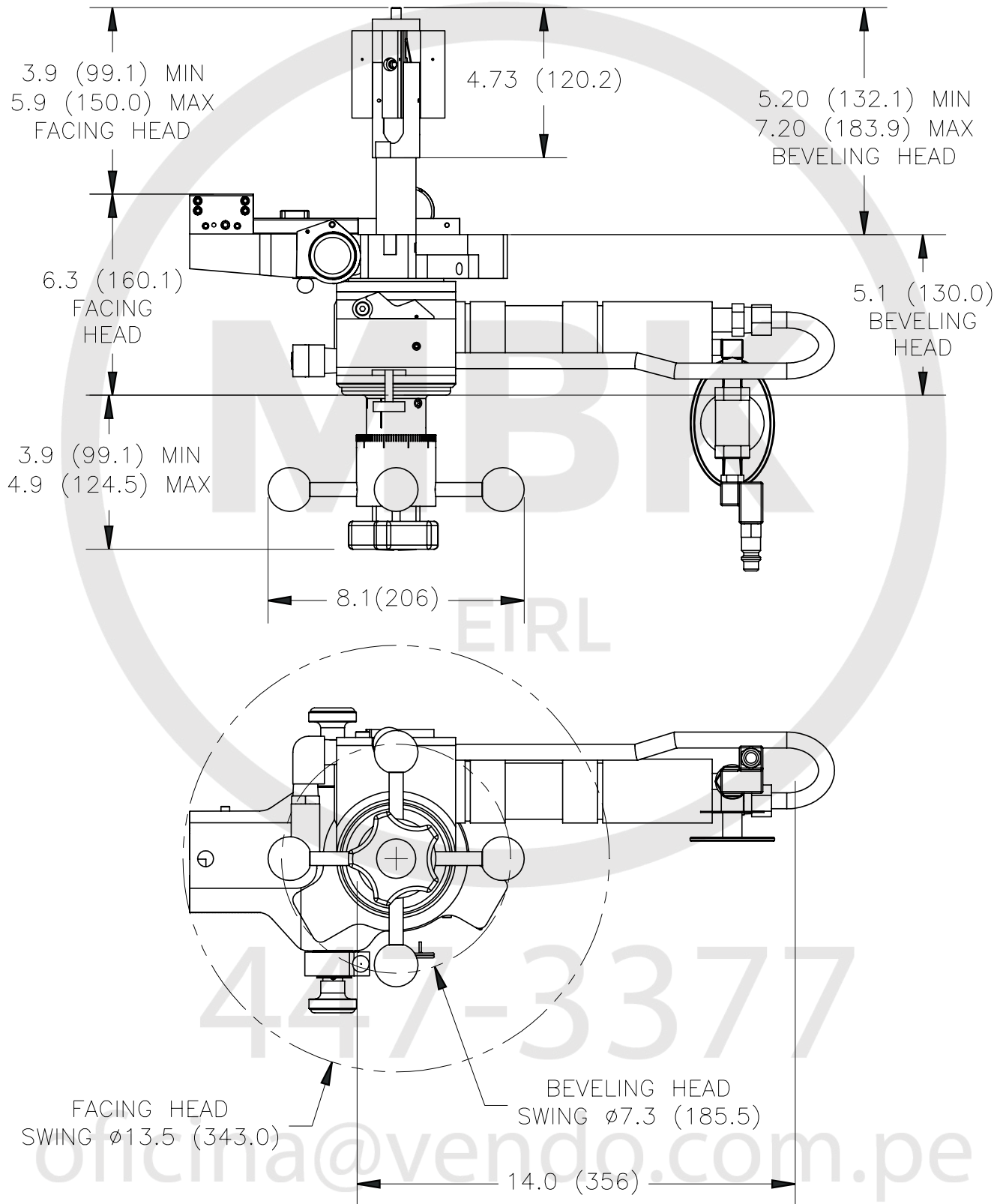
Beveling head 7 inches (177.8 mm) 34980  
Beveling head 12.75 inches (323.9 mm) 35439  
Facing head, 1.5 - 12 inch (38.1 -  
304.8 mm) diameter 35222  
Facing head, 1.5 - 19 inch (38.1 -  
482.6 mm) diameter 34936



All dimensions should be considered reference. Contact your Climax Representative for precision dimensions. Specifications are subject to change without notice. There are no systems or components on this machine that are capable of producing hazardous EMC, UV or other radiation hazards. The machine does not use lasers nor does it create hazardous materials such as gasses or dust.

# OPERATIONAL DIMENSIONS

Dimensions in Inch (mm)



# SETUP AND OPERATION

## A Fast Five-Step Process

Setup of the FF3000 Flange Facer is quick and easy. The modular design and versatile setup options allow the chuck and main body to be set up separately.

An experienced operator can set up the machine in 10 minutes or less.

- 1** Choose from facing or beveling heads.  
Place tool bit in tool slot and tighten set screw.



- 2** Align the 3 pin "Quick-Lock" system and tap with plastic mallet to seat.



- 3** Select jaw set according to the ID diameter that the machine will chuck into.



- 4** Place the machine in the bore. Hold to good start height, and tighten hand nut to snug. Push down on hand nut. While holding nut down, turn rod handle to tighten chuck.



- 5** Set tool to desired cutting depth, and begin machining.



# Training at the Global Learning Center

Climax has been teaching the fundamentals and fine points of portable machine tool operation for practically as long as we've been inventing and building the tools.

At the Climax Global Learning Center situated in our corporate headquarters near Portland, Oregon, we provide training for machine tool operators on portable machine tool safety, and machine setup and operation. Trainees also receive technical tips and tools to improve operational efficiencies, with the vast majority of every program devoted to hands-on activities and skill development.



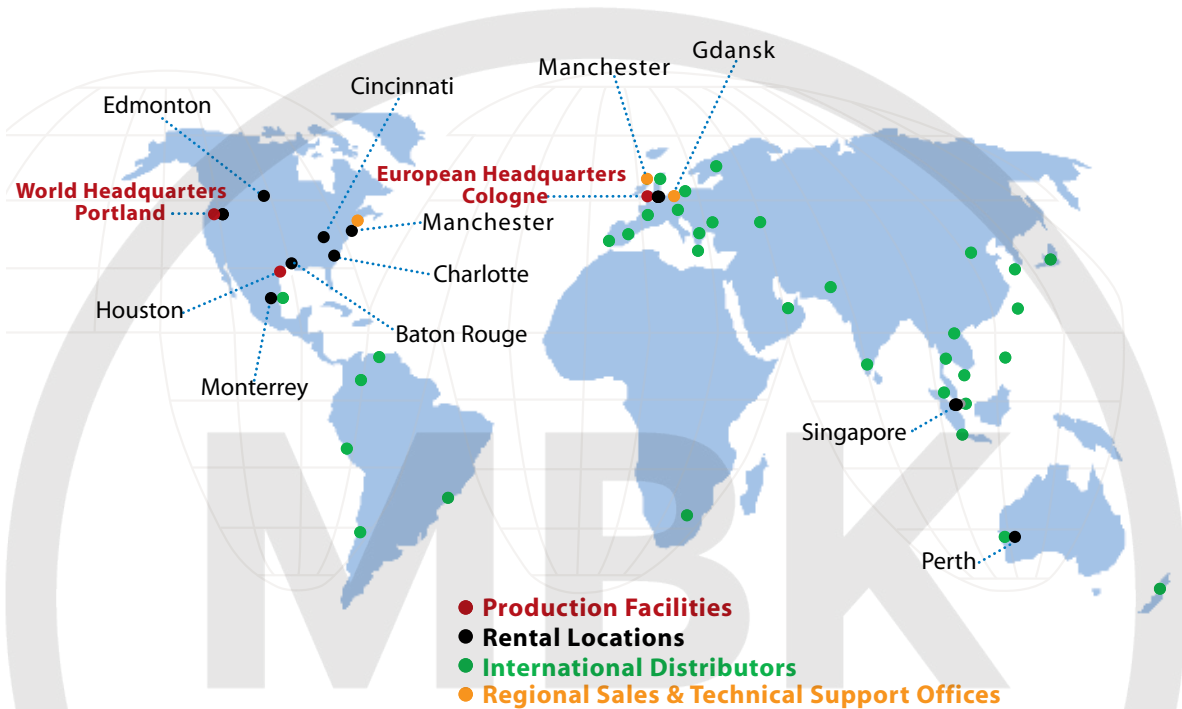
The Climax instructional team includes specialists in shipbuilding, power generation, civil engineering, bridge re-building, petrochemical and other industries.

Whether it's a regularly scheduled course at the Global Learning Center, or custom curriculum conducted at your facility, your machinists will benefit from courses developed by some of the most respected authorities in the business.

Call us today to register for a regularly scheduled class, or talk to us about how we can customize a training program for your specialized application.



# CLIMAX GLOBAL LOCATIONS



## Call Climax for:

### On-site Training

Need some refresher courses in setting up and operating your CLIMAX machine tool?

### Special Projects

CLIMAX has been solving complicated on-site machining and welding problems for our customers since 1964.

### Rentals

With 16 worldwide rental depot locations, you are never far away from a CLIMAX tool.

447-3377

Connect with us: [f](#) [t](#) [in](#)

### World Headquarters

2712 E. Second Street  
 Newberg, Oregon 97132 USA  
 Worldwide Telephone: 1.503.538.2185  
 N. America Toll-Free: 1.800.333.8311  
 Fax: 1.503.538.7600  
 Email: [info@cpmt.com](mailto:info@cpmt.com)

### European Headquarters

Am Langen Graben 8  
 52353 Düren, Germany  
 Telephone: (+49) (0) 2421.9177.0  
 Fax: (+49) (0) 2421.9177.29  
 Email: [info@cpmt.de](mailto:info@cpmt.de)

Copyright © 2014 CLIMAX Portable Machining & Welding Systems. All Rights Reserved. Climax has taken reasonable measures to ensure the accuracy of the information contained in this document. However, Climax makes no warranties or representations with respect to the information contained herein; and Climax shall not be held liable for damages resulting from any errors or omissions herein, or from the use of the information contained in this document.