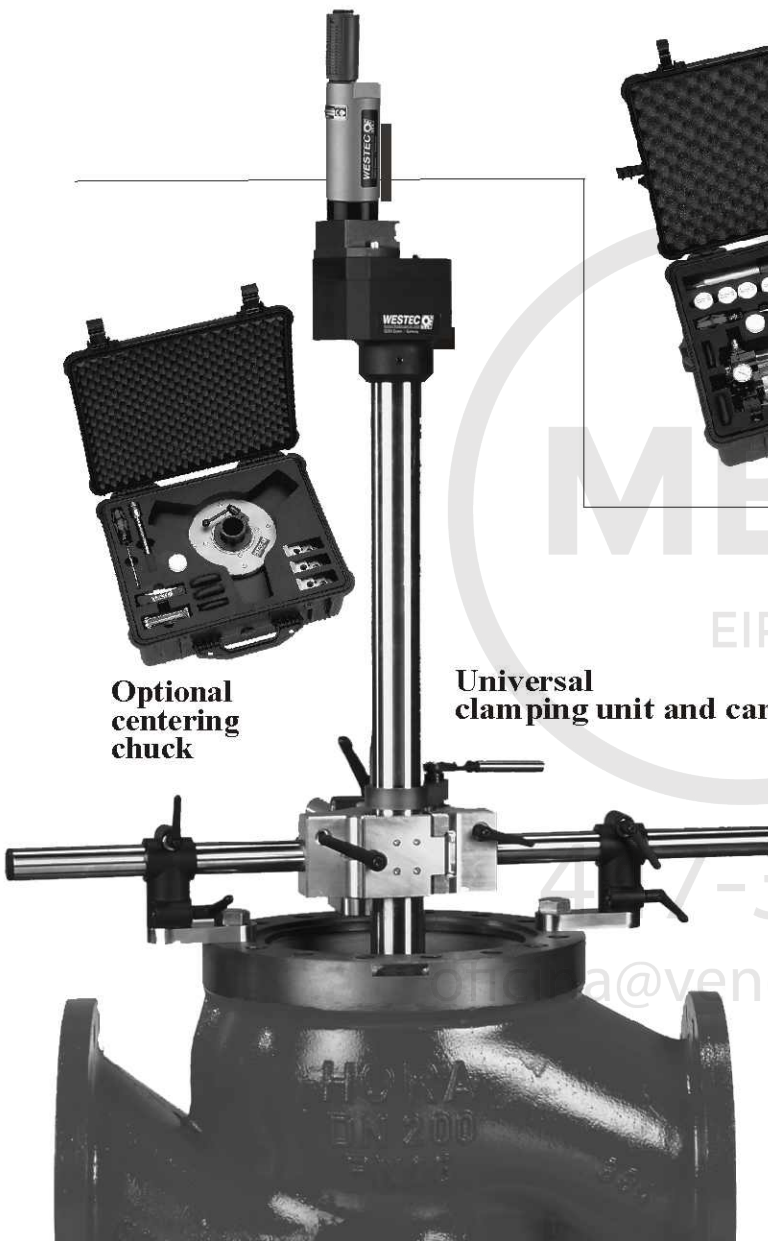


Globe Valve Seat Grinder

Product Information

Model VM2000 DN 10-700 (.4-28")

CLIMAX
Portable Machine Tools



Optional centering chuck

Universal clamping unit and carrying case



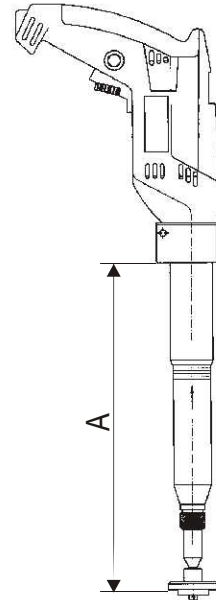
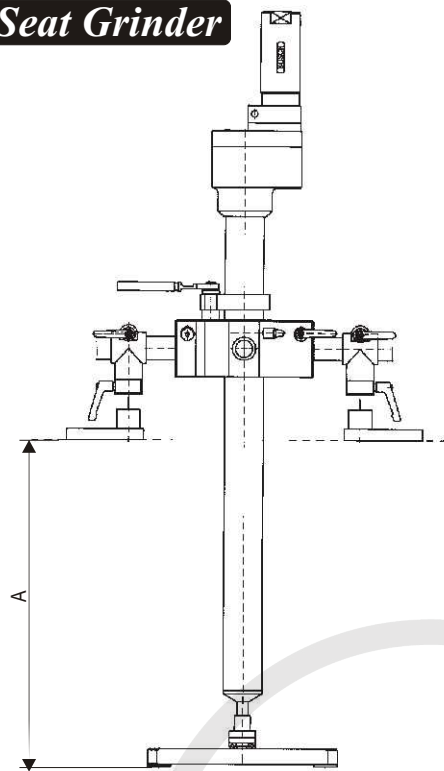
Rigid column mounting



VISIT OUR WEB SITE
www.cpmt.com

Universal clamping unit and accessories with carrying case

Globe Valve Seat Grinder



Model VM2000 Tech	#1	#2	#3	#4	#5
Nominal working range	mm(inch)	mm(inch)	mm(inch)	mm(inch)	mm(inch)
min	10 (.4)	10 (.4)	80 (3)	80 (3)	200 (8)
max	50 (2)	150 (6)	350 (14)	500 (20)	700 (28)
Submerging depth A					
Standard	300 (12)	300 (12)	600 (24)	600 (24)	800 (31)
Optional	500 (20)	500 (20)	1000 (39)		
Optional		800 (32)			
Applications					
Grinding	X	X	X	X	X
Lapping	n/a	X	X	X	X
CBN-grinding	n/a	n/a	X	X	X
Speed range rpm					
minimum	100	100	30	30	30
maximum (electric)	550	550	500	500	500
maximum (air)	640	640	400	400	400
Torque N-m (ft-lb)					
permanent	7.2 (5.3)	7.2 (5.3)	26 (19.2)	26 (19.2)	26 (19.2)
maximum	40 (29.6)	40 (29.6)	108 (79.9)	108 (79.9)	108 (79.9)
Weight of basic machine	kg (lbs)				
approximate	4 (9)	4 (9)	13 (29)	15 (33)	21 (46)

Company address:
 Climax Portable Machine Tools, Inc.
 2712 E. Second St.
 Newberg, OR 97132

Phone: 503/538-2185
 Fax: 503/538-7600
 www.cpmpt.com

CLIMAX
 Portable Machine Tools

06/00, Lit Code: VGM2