



HydraMax® Tensioners

Packed with user-friendly features, Hydratight's HydraMax® Topside Tensioner has also been cleverly designed to fit all standard flanges, including ANSI, API and Compact flanges based on Norsok L005.

With its compact fit and high load generation, alongside the flexibility to work with all standard flanges, the new HydraMax® tool can be used in almost every industry and within so many different applications.

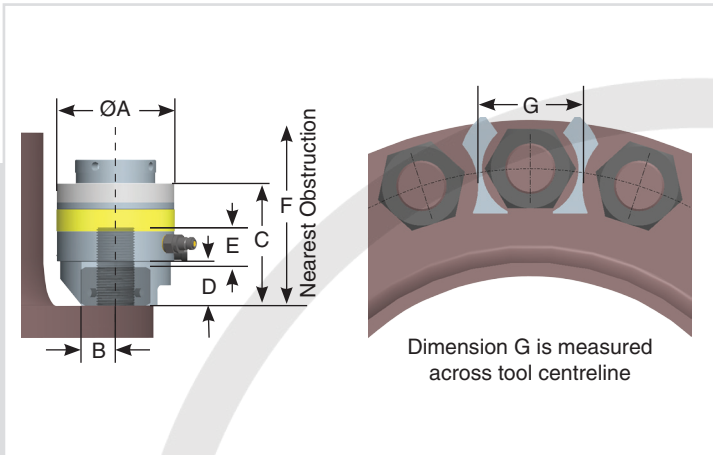
Although originally designed for customers in the Oil & Gas sector requiring a tool for the newly adopted compact flange, the opportunities for this tool's use are now vast.

HydraMax® tools have been designed to generate high bolt loads associated with compact flanges, while providing versatility for maximum bolt coverage, and include the latest user-friendly features.

Incorporating the proven sealing technology used in Hydratight's Aquajack® Tensioner line, the HydraMax® series combines the reassurance of trusted technology with the usability of simple service operations.

Features:

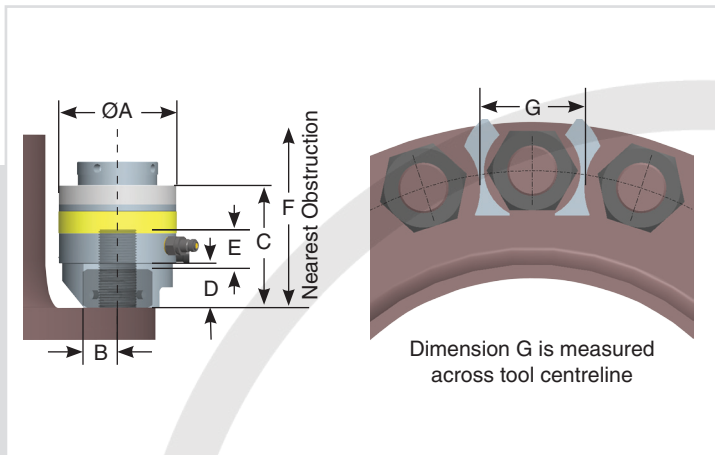
- Up to 30% more load capacity (1500 bar/21,750psi) than Hydratight's HL Tensioners
- Long stroke capability of 15mm (9/16") with over stroke elimination
- HM01-HM05 have a mechanical over stroke prevention and no spring return; HM06-HM15 have a relief valve over stroke prevention and spring return
- Quick release bridge
- Stroke indicator
- Interchangeable adapter kits
- Quick, simple, hose connection
- Eccentric shape tool applies to HM01, HM02 and HM03
- Alternative size adaptor kits can be supplied upon request



Tool Ref	Bolt Dia.		Tool		Max Load	Weight	Unit of Measure	A	B	C	D	E	F	G								
	in	mm	Hyd Area																			
HM01	3/4"	M20	in ² mm ²	1.39 894	tonf lbf kN	13.4 30124 134.0	4.5 lb 2.06 kg	Std - in	2.40	0.59	3.79	1.08	0.79	8.20	1.90							
								Metric - mm	61.0	15.0	96.3	27.5	20	208	48.0							
HM02	3/4"	M20	in ² mm ²	1.92 1240	tonf lbf kN	18.7 41814 186.0	5.6 lb 2.52 kg	Std - in	2.7	0.6	4.1	1.1	0.8	8.9	1.9							
								Metric - mm	69.0	15.0	103.3	27.5	20.0	227.0	48.0							
								7/8"	M22	in ² mm ²	1.92 1240	tonf lbf kN	18.7 41814 186.0	5.5 lb 2.48 kg	Std - in	2.7	0.7	4.1	1.1	0.9	8.9	2.2
Metric - mm	69.0	18.4	103.3	27.5	22.0	225.0	55.0															
HM03	3/4"	M20	in ² mm ²	2.52 1628	tonf lbf kN	24.5 54876 244.1	6.9 lb 3.12 kg	Std - in	3	0.6	4.1	1.1	0.8	9.1	1.9							
								Metric - mm	77	15	104.8	27.5	20	230	48							
								7/8"	M22	in ² mm ²	2.52 1628	tonf lbf kN	24.5 54876 244.1	6.8 lb 3.07 kg	Std - in	3	0.7	4.1	1.1	0.9	9	2.2
															Metric - mm	77	18.4	104.8	27.5	22	228	55
															1"	M24	in ² mm ²	2.52 1628	tonf lbf kN	24.5 54876 244.1	7 lb 3.16 kg	Std - in
Metric - mm	77	20	109.8	32.5	25	232	59.5															
HM04	7/8"	M22	in ² mm ²	3.35 2159	tonf lbf kN	32.5 72793 323.8	9 lb 4.1 kg	Std - in	3.5	0.7	4.4	1.1	0.9	9.8	2.2							
								Metric - mm	89.5	18.4	112.3	27.5	22	250	55							
								1"	M24	in ² mm ²	3.35 2159	tonf lbf kN	32.5 72793 323.8	9.1 lb 4.15 kg	Std - in	3.5	0.8	4.6	1.3	1	10	2.3
															Metric - mm	89.5	20	117.3	32.5	25	255	59.5
															M27	in ² mm ²	3.35 2159	tonf lbf kN	32.5 72793 323.8	9.1 lb 4.15 kg	Std - in	3.5
								Metric - mm	89.5	20	117.3	33.5	27	256							59.5	
								1 1/8"	M30	in ² mm ²	3.35 2159	tonf lbf kN	32.5 72793 323.8	9.1 lb 4.15 kg	Std - in	3.5	0.9	4.7	1.4	1.2	10.1	2.7
Metric - mm	89.5	23.4	120.3	35.5	30	257	67.2															
HM05	1"	M24	in ² mm ²	4.27 2752	tonf lbf kN	41.4 92779 412.7	11.5 lb 5.2 kg	Std - in	3.9	0.8	4.7	1.3	1	10.4	2.3							
								Metric - mm	99	20	119.2	32.5	25	263	59.5							
								M27	in ² mm ²	4.27 2752	tonf lbf kN	41.4 92779 412.7	11.4 lb 5.19 kg	Std - in	3.9	0.8	4.7	1.3	1.1	10.4	2.3	
														Metric - mm	99	20	119.2	33.5	27	263	59.5	
								1 1/8"	M30	in ² mm ²	4.27 2752	tonf lbf kN	41.4 92779 412.7	11.4 lb 5.19 kg	Std - in	3.9	0.9	4.8	1.4	1.2	10.3	2.7
															Metric - mm	99	23.4	122.2	35.5	30	261	67.2
1 1/4"	M33	in ² mm ²	4.27 2752	tonf lbf kN	41.4 92779 412.7	11.6 lb 5.24 kg	Std - in	3.9	1.1	4.9	1.5	1.3	10.3	2.9								
							Metric - mm	99	27.3	125.2	38.5	33	262	74								
HM06	1 1/8"	M30	in ² mm ²	6.45 4162	tonf lbf kN	62.6 140303 624.1	15.6 lb 7.07 kg	Std - in	4.6	0.9	4.9	1.4	1.2	10.5	2.7							
								Metric - mm	117.5	23.4	125	35.5	30	266	67.2							
								1 1/4"	M33	in ² mm ²	6.45 4162	tonf lbf kN	62.6 140303 624.1	15.7 lb 7.11 kg	Std - in	4.6	1.1	5	1.5	1.3	10.6	2.9
															Metric - mm	117.5	27.3	128	38.5	33	269	74
															1 3/8"	M36	in ² mm ²	6.45 4162	tonf lbf kN	62.6 140303 624.1	16 lb 7.24 kg	Std - in
								Metric - mm	117.5	31.8	131	41.5	36	273								86.4
								1 1/2"	M39	in ² mm ²	6.45 4162	tonf lbf kN	62.6 140303 624.1	16.2 lb 7.35 kg	Std - in	4.6	1.3	5.3	1.8	1.5	10.9	3.4
Metric - mm	117.5	33.2	134	44.5	39	277	86.4															

HydraMax® Tensioners

Tool Ref	Bolt Dia.		Tool Hyd Area		Max Load		Weight	Unit of Measure	A	B	C	D	E	F	G	
	in	mm														
HM07	1 1/4"	M33	in ² 7.72	mm ² 4980	tonf 74.9	lbf 167887	kN 746.8	18.4 lb	Std - in	5	1.1	5	1.5	1.3	10.9	2.9
		8.35 kg						Metric - mm	127	27.3	128	38.5	33	278	74	
	1 3/8"	M36						18.7 lb	Std - in	5	1.3	5.2	1.6	1.4	11	3.4
		8.47 kg						Metric - mm	127	31.8	131	41.5	36	279	86.4	
	1 1/2"	M39						18.9 lb	Std - in	5	1.3	5.3	1.8	1.5	11	3.4
		8.57 kg						Metric - mm	127	33.2	134	44.5	39	280	86.4	
	1 5/8"	M42						19 lb	Std - in	5	1.3	5.4	1.9	1.7	11	3.8
		8.64 kg						Metric - mm	127	34	137	47.5	42	280	96	
HM08	1 3/8"	M36	in ² 9.1	mm ² 5869	tonf 88.3	lbf 197854	kN 880.1	22 lb	Std - in	5.4	1.3	5.2	1.6	1.4	11.1	3.4
		9.96 kg						Metric - mm	136.5	31.8	132.5	41.5	36	283	86.4	
	1 1/2"	M39						22.2 lb	Std - in	5.4	1.3	5.3	1.8	1.5	11.2	3.4
		10.05 kg						Metric - mm	136.5	33.2	135.5	44.5	39	284	86.4	
	1 5/8"	M42						22.3 lb	Std - in	5.4	1.3	5.5	1.9	1.7	11.2	3.8
		10.12 kg						Metric - mm	136.5	34	138.5	47.5	42	284	96	
	1 3/4"	M45						23.1 lb	Std - in	5.4	1.6	5.6	2	1.8	11.2	3.8
		10.47 kg						Metric - mm	136.5	39.3	141.5	50.5	45	285	96.8	
HM09	1 1/2"	M39	in ² 10.59	mm ² 6834	tonf 102.9	lbf 230407	kN 1024.9	25.1 lb	Std - in	5.7	1.3	5.3	1.8	1.5	10.9	3.4
		11.38 kg						Metric - mm	144.5	33.2	135.5	44.5	39	278	86.4	
	1 5/8"	M42						25.2 lb	Std - in	5.7	1.3	5.5	1.9	1.7	11.1	3.8
		11.41 kg						Metric - mm	144.5	34	138.5	47.5	42	281	96	
	1 3/4"	M45						25.8 lb	Std - in	5.7	1.6	5.6	2	1.8	11.2	3.8
		11.71 kg						Metric - mm	144.5	39.3	141.5	50.5	45	285	96.8	
	1 7/8"	M48						25.9 lb	Std - in	5.7	1.7	5.7	2.1	1.9	11.3	4.3
		11.73 kg						Metric - mm	144.5	43	144.5	53.5	48	288	108.4	
HM10	1 5/8"	M42	in ² 12.2	mm ² 7868	tonf 118.4	lbf 265230	kN 1179.8	30.4 lb	Std - in	6.1	1.3	5.6	1.9	1.7	11.4	3.8
		13.77 kg						Metric - mm	156	34	142.5	47.5	42	289	96	
	1 3/4"	M45						30.1 lb	Std - in	6.1	1.6	5.7	2	1.8	11.5	3.8
		13.67 kg						Metric - mm	156	39.3	145.5	50.5	45	293	96.8	
	1 7/8"	M48						31 lb	Std - in	6.1	1.7	5.8	2.1	1.9	11.7	4.3
		14.07 kg						Metric - mm	156	43	148.5	53.5	48	296	108.4	
	2"	M52						31.6 lb	Std - in	6.1	1.7	6	2.3	2.1	11.6	4.6
		14.35 kg						Metric - mm	156	44.1	152.5	57.5	52	301	116.6	
HM11	1 3/4"	M45	in ² 15.74	mm ² 10152	tonf 152.8	lbf 342272	kN 1522.5	38.8 lb	Std - in	6.9	1.5	5.7	2	1.8	11.7	3.8
		17.59 kg						Metric - mm	174.5	39.3	145.5	50.5	45	297	96.8	
	1 7/8"	M48						39.6 lb	Std - in	6.9	1.7	5.8	2.1	1.9	11.9	4.3
		17.97 kg						Metric - mm	174.5	43	148.5	53.5	48	301	108.4	
	2"	M52						40.2 lb	Std - in	6.9	1.7	6	2.3	2.1	12.1	4.6
		18.24 kg						Metric - mm	174.5	44.1	152.5	57.5	52	306	116.6	
	2 1/4"	M56						41.8 lb	Std - in	6.9	2	6.3	2.6	2.2	12.5	5.1
		18.94 kg						Metric - mm	174.5	49.5	160.5	65.5	57	318	130.3	
	M60	41.5 lb	Std - in	6.9	2	6.3	2.6	2.4	12.7	5.1						
	18.82 kg	Metric - mm	174.5	49.5	160.5	65.5	60	323	130.3							
HM12	1 7/8"	M48	in ² 19.72	mm ² 12722	tonf 191.5	lbf 428868	kN 1907.7	49.6 lb	Std - in	7.6	1.7	5.9	2.1	1.9	11.9	4.3
		22.48 kg						Metric - mm	193.5	43	148.5	53.5	48	301	108.4	
	2"	M52						50.1 lb	Std - in	7.6	1.7	6	2.3	2.1	12.1	4.6
		22.71 kg						Metric - mm	193.5	44.1	152.5	57.5	52	306	116.6	
	2 1/4"	M56						51.4 lb	Std - in	7.6	2	6.3	2.6	2.2	12.5	5.1
		23.3 kg						Metric - mm	193.5	49.5	160.5	65.5	57	318	130.3	
		M60						51.9 lb	Std - in	7.6	2	6.3	2.6	2.4	12.7	5.1
		23.54 kg						Metric - mm	193.5	49.5	160.5	65.5	60	323	130.3	
2 1/2"	M64	52.4 lb	Std - in	7.6	2.2	6.5	2.7	2.5	12.6	5.7						
	23.77 kg	Metric - mm	193.5	56	164.5	69.5	64	320	143.5							



Tool Ref	Bolt Dia.		Tool Hyd Area		Max Load		Weight	Unit of Measure	A	B	C	D	E	F	G
	in	mm	in ²	mm ²	tonf	lbf									
HM13	2 1/2"	M64	26.29	16964	tonf	255.3	71.4 lb	Std - in	8.6	2.2	6.8	2.7	2.5	13.3	5.7
							Metric - mm	218.5	56	172.2	69.5	64	337	143.5	
	2 3/4"	M68					72.9 lb	Std - in	8.6	2.5	7.1	3.1	2.8	13.8	6.3
							Metric - mm	218.5	63	180.2	77.5	70	350	158.7	
	3"	M72					72.8 lb	Std - in	8.6	2.7	7.3	3.2	2.8	13.7	6.9
							Metric - mm	218.5	69	184.5	81.7	72	347	176	
	M76	72.8 lb	Std - in	8.6	2.7	7.3	3.2	3	13.9	6.9					
		Metric - mm	218.5	69	184.5	81.7	76	352	176						
HM14	3"	M72	36.35	23451	tonf	352.9	101.6 lb	Std - in	10.2	2.7	7.3	3.2	2.8	13.8	6.9
							Metric - mm	259	69	184.5	81.7	72	351	176	
	3"	M76					103.1 lb	Std - in	10.2	2.7	7.3	3.2	3	13.9	6.9
							Metric - mm	259	69	184.5	81.7	76	352	176	
	3 1/4"	M80					104.7 lb	Std - in	10.2	2.7	7.6	3.6	3.2	14.5	7.3
							Metric - mm	259	69.6	193.2	90.5	80	367	186	
	3 1/2"	M85					106 lb	Std - in	10.2	2.7	7.6	3.6	3.4	14.7	7.3
							Metric - mm	259	69.6	193.2	90.5	85	374	186	
	M90	108.6 lb	Std - in	10.2	3.1	7.8	3.6	3.5	15.3	7.9					
		Metric - mm	259	78.6	198.2	95.5	90	389	200						
HM15	3 1/2"	M90	48.06	31008	tonf	466.7	139.6 lb	Std - in	11.6	3.1	7.8	3.6	3.5	15.3	7.9
							Metric - mm	295.5	78.6	199.3	95.5	90	389	200	
	3 3/4"	M95					150.4 lb	Std - in	11.6	3.2	8.1	4	3.7	16	8.6
							Metric - mm	295.5	80.7	204.6	100.8	95	405	217.4	
	4"	M100					145.5 lb	Std - in	11.6	3.5	8.3	4.2	4	16.6	9.1
							Metric - mm	295.5	89.9	210.9	107.1	102	421	232	

447-3377

oficina@vendo.com.pe